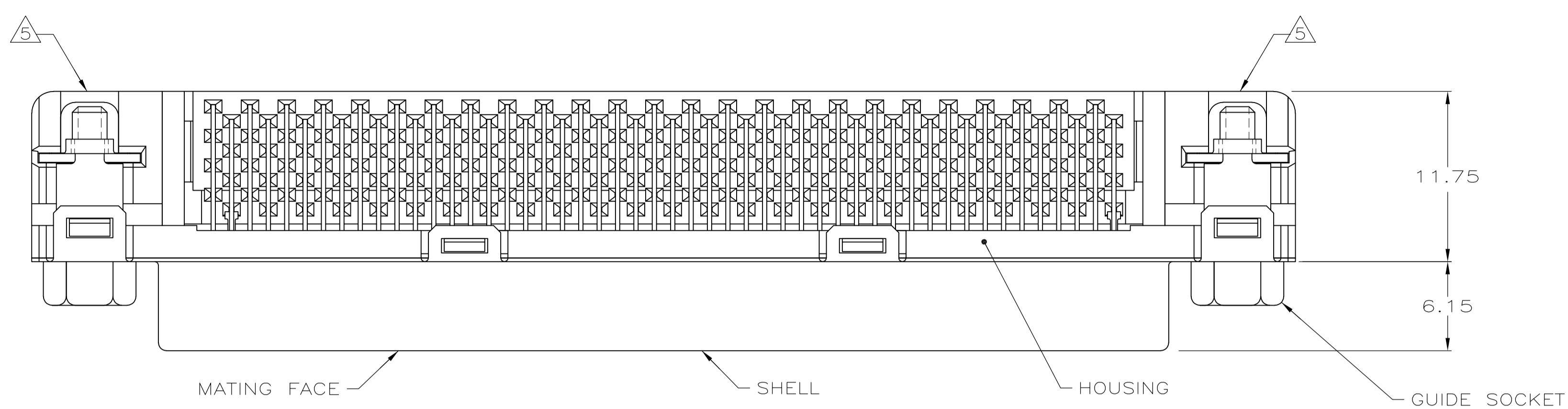
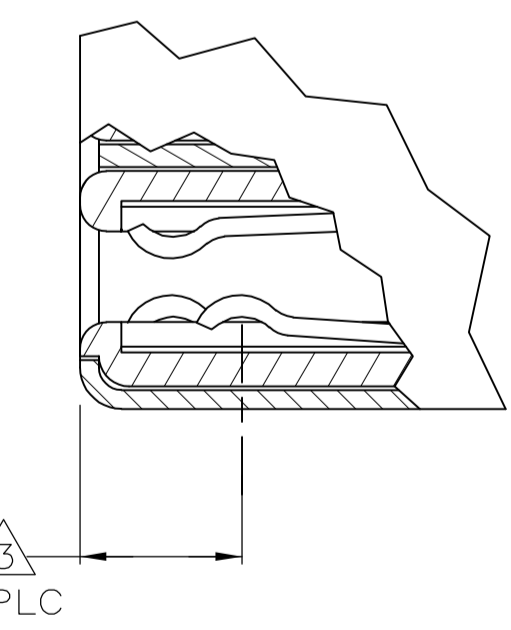
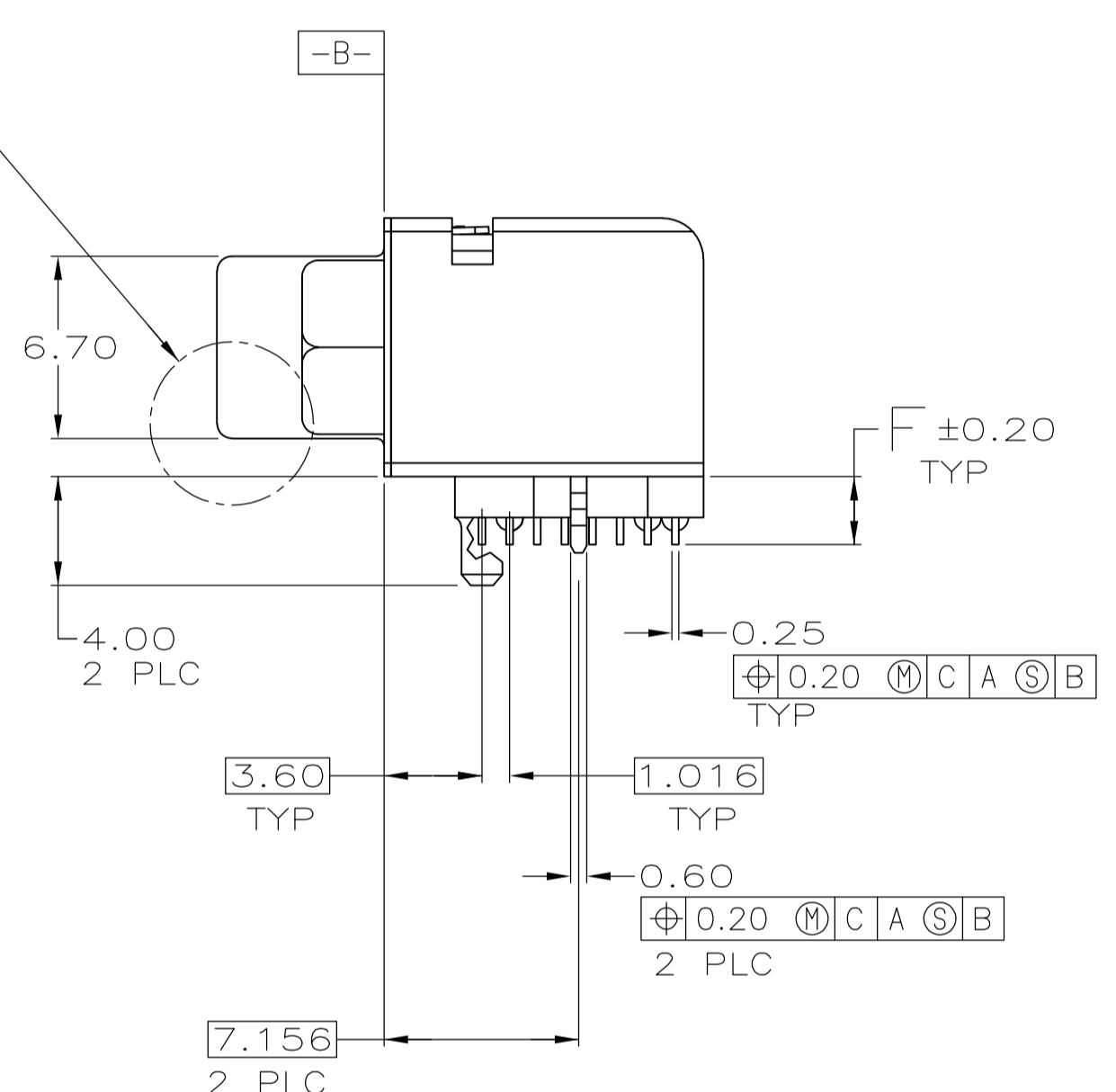
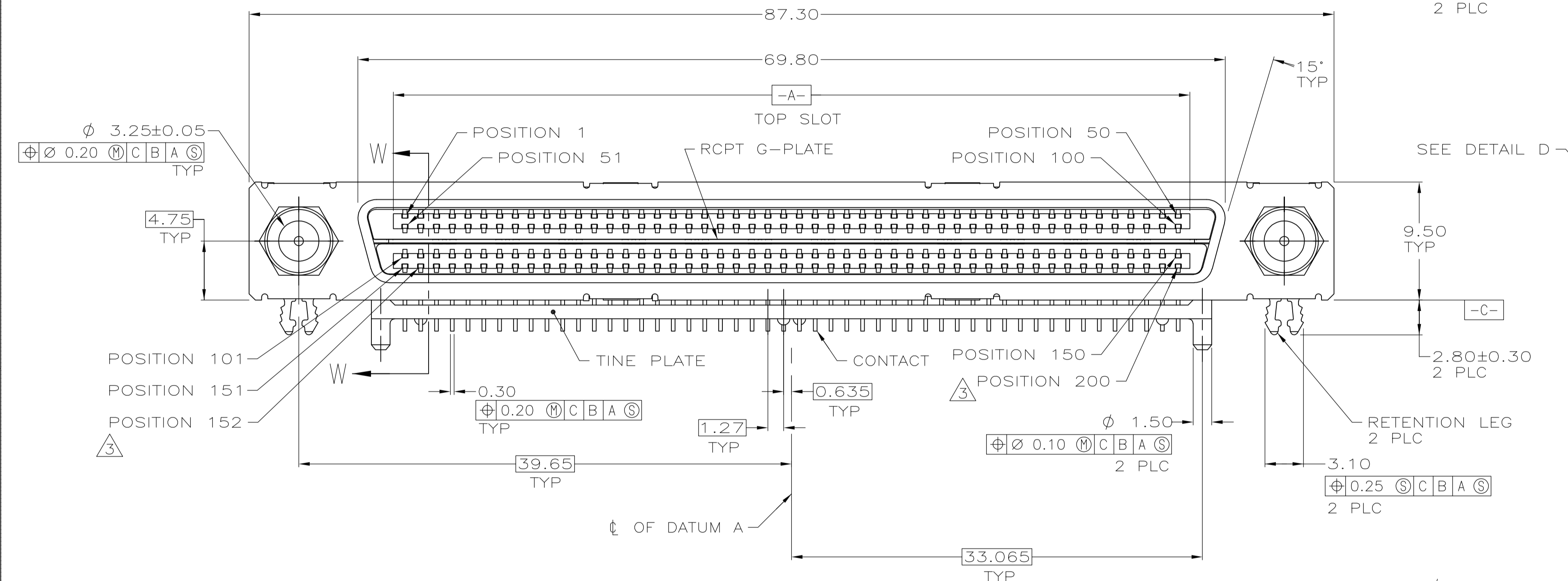


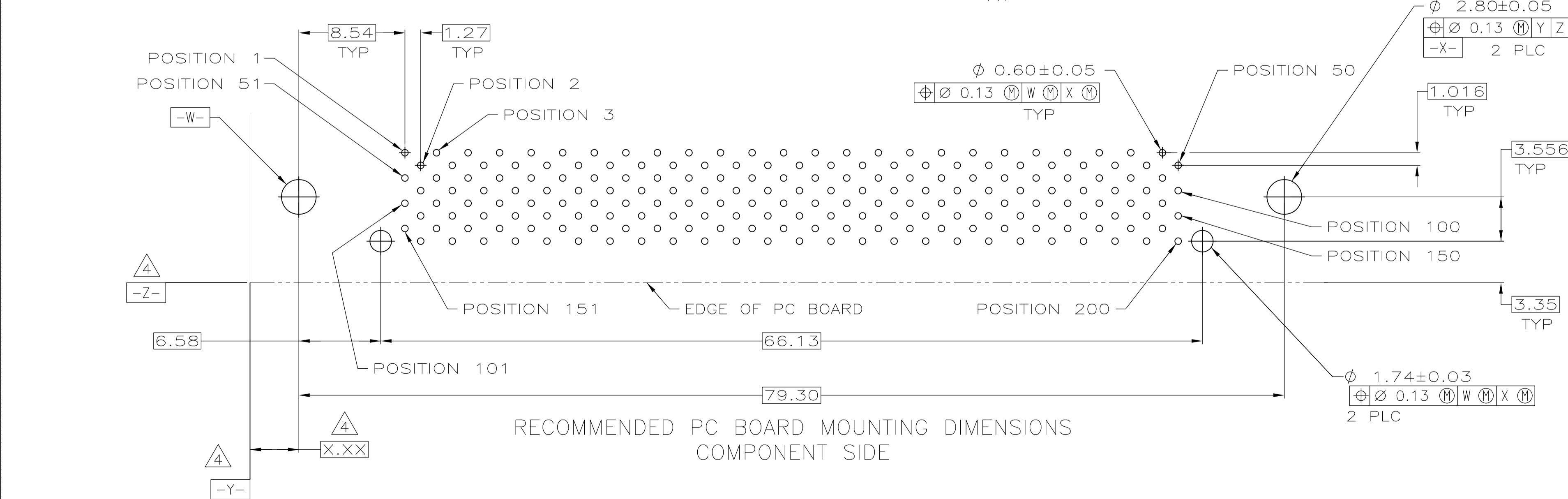
| LOC | | DIST | | REVISIONS | | | |
|-----|----|------------------------------|----------|-----------|-----|------|--|
| GP | 00 | REV | DATE | BY | CHK | APPV | |
| 0 | | RELEASED PER EC 0513-0440-04 | 12-07-04 | LV | JG | | |
| 01 | | REVISED PER ECO-10-000444 | 03NOV09 | KK | AEG | | |



- △ HOUSING AND TINE PLATE: POLYESTER, NATURAL.
 CONTACTS: COPPER ALLOY.
 SHELL: CARBON STEEL.
 RCPT G-PLATE: STAINLESS STEEL.
 GUIDE SOCKET AND RETENTION LEG: BRASS.
- △ SHELL: 3.00µm MIN NICKEL OVER 1.30µm MIN COPPER.
 RETENTION LEG: 2.00µm MIN TIN OVER 1.00µm MIN NICKEL.
 GUIDE SOCKET: NICKEL OVER COPPER.
 CONTACTS: 0.76µm MIN GOLD FOR A LENGTH OF 1.10 MIN FROM MATING END,
 2.54 MIN TIN FOR A LENGTH OF 2.80 MIN FROM OPPOSITE END,
 BOTH OVER 1.27µm MIN NICKEL.
- △ CONTACTS 152 AND 200, ARE SEQUENCED AWAY FROM MATING FACE.
- △ DATUMS AND BASIC DIMENSIONS ESTABLISHED BY CUSTOMER.
- △ DATE CODE MAY BE MARKED ON EITHER END.
- △ OBSOLETE PARTS: OBSOLETE CIS STREAMLINING PER D.RENAUD/D.SINISI



DETAIL D
SCALE 10:1



| | | | |
|-------------------------|-----|------|-------------|
| △ OBSOLETE | NO | 2.50 | 2-5787851-1 |
| | YES | 3.18 | 5787851-2 |
| | YES | 2.50 | 5787851-1 |
| REMOVABLE GUIDE SOCKETS | F | | PART NUMBER |

| | | | |
|--|--------|------------------------------|---|
| THIS DRAWING IS A CONTROLLED DOCUMENT. | | DIN L VARELA -DOCK5 12-07-04 | Tyco Electronics Corporation |
| DIMENSIONS: mm | | CHK C ROHDE 12-07-04 | Harrisburg, Pa 17105-3608 |
| TOLERANCES UNLESS OTHERWISE SPECIFIED: | | APPV M WALMSLEY 12-07-04 | NAME |
| 0 PLC | ± - | PRODUCT SPEC | RECEPTACLE ASSEMBLY, 200 POSITION, RIGHT ANGLE, .050, CHAMP |
| 1 PLC | ± - | APPLICATION SPEC | SIZE CAGE CODE DRAWING NO |
| 2 PLC | ± 0.25 | WEIGHT | A1 00779 C=5787851 |
| 3 PLC | ± - | CUSTOMER DRAWING | SCALE 4:1 SHEET 1 OF 1 REV 01 |
| 4 PLC | ± - | | |
| ANGLES | ± ° | | |